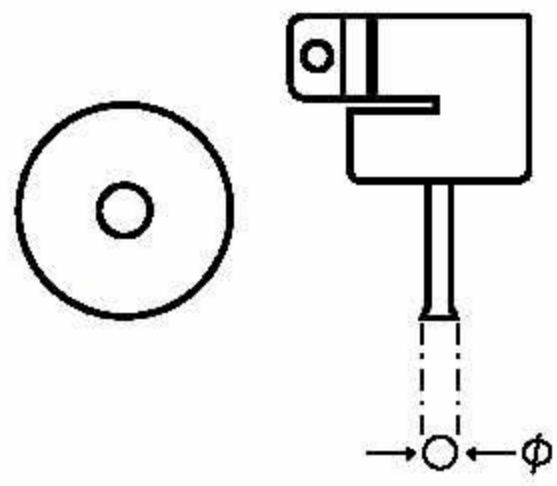


Optional Nozzles for AOYUE Hot Air Guns. (Fits all Aoyue hot air gun unit except model 868)

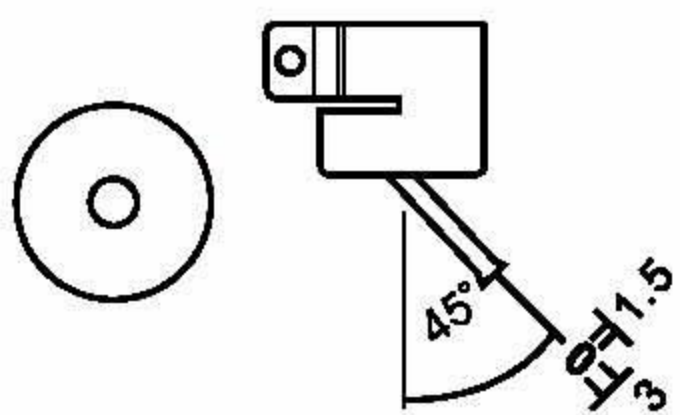
Single Type

Straight Single



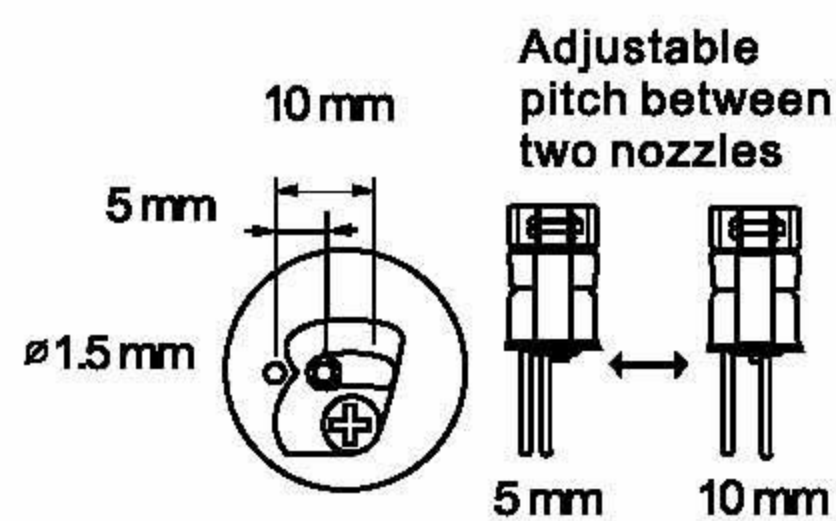
Nozzle Model	Nozzle Size, φ(mm)
1124	2.5
1130	4.4
1194	6
1195	8
1196	7
1197	9
1198	12

Bent Single



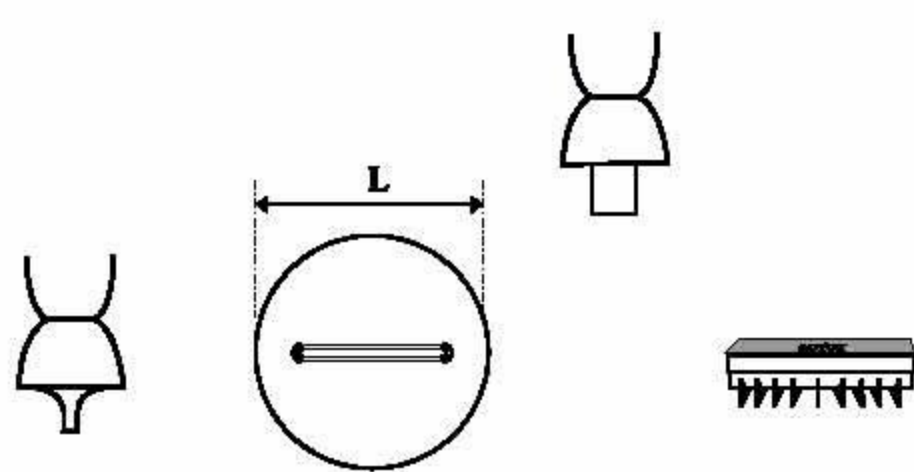
Nozzle Model	1142
--------------	-------------

Dual Single Adjustable



Nozzle Model	1325
--------------	-------------

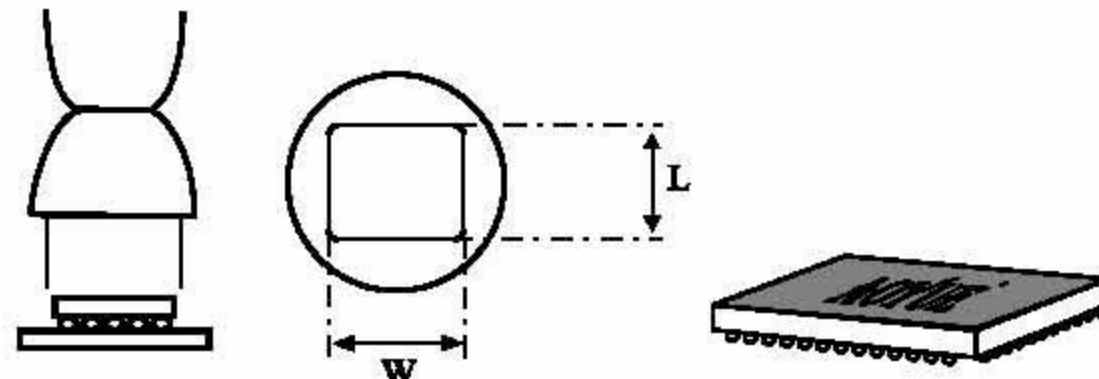
Single In Line Package



Nozzle Model	IC Package Size	Nozzle Length (mm)
1191	SIP 25L	26
1192	SIP 50L	52.5

BGA Packages

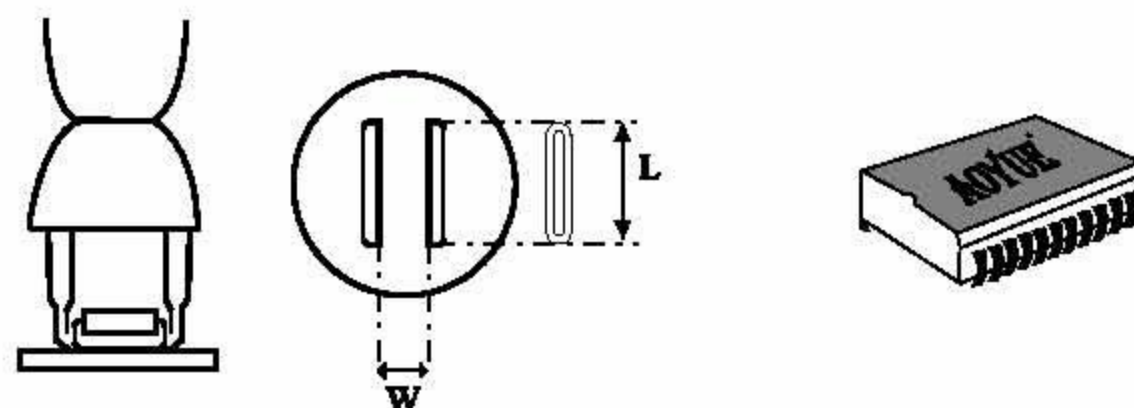
Ball Grid Array



Nozzle Model	IC Package Size (mm)	Nozzle Size (mm)	
		W	L
1010	BGA 9x9	10	10
1313	BGA 12x12	13	13
1616	BGA 15x15	16	16
1919	BGA 18x18	19	19
2828	BGA 27x27	28	28
3636	BGA 35x35	36	36
3939	BGA 38x38	39	39
4141	BGA 40x40	41	41

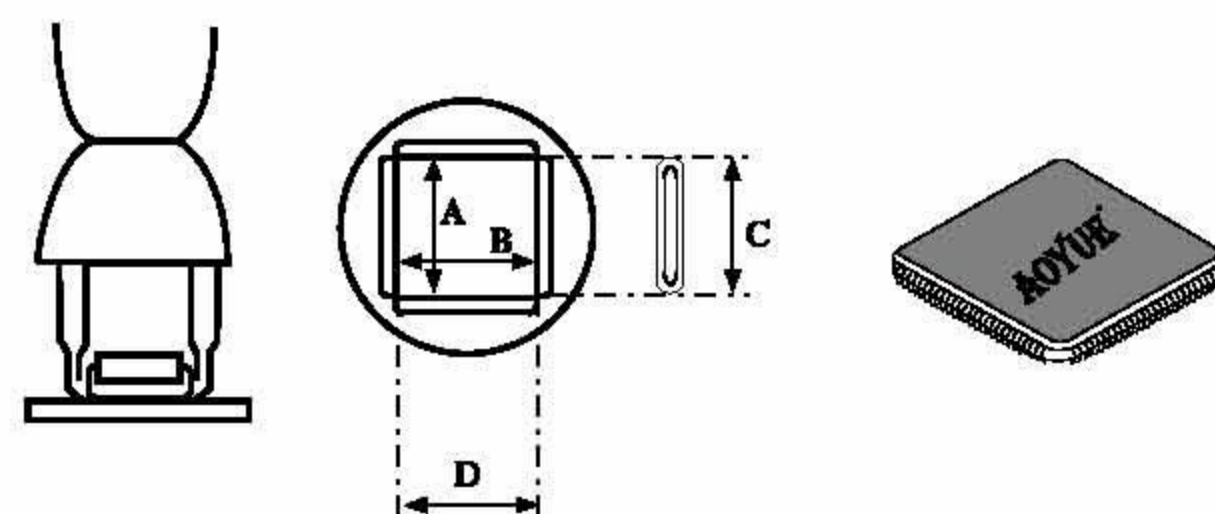
J Lead Components

Small Outline J-Lead



Nozzle Model	IC Package Size (mm)	Nozzle Size (mm)	
		L	W
1183	SOJ 15x8	16	8
1184	SOJ 18x8	19	10
1214	SOJ 10x26	25.9	12

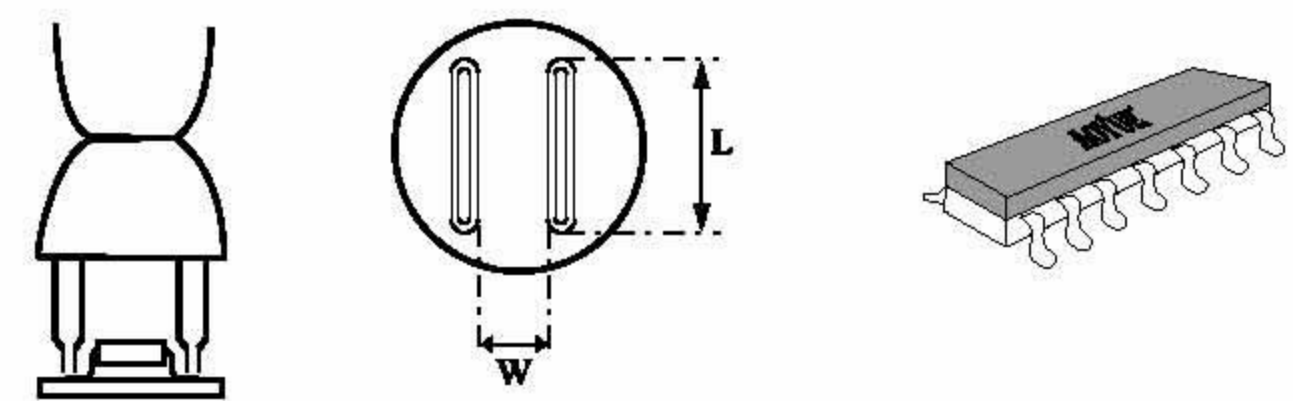
Plastic Leaded Chip Carrier



Nozzle Model	IC Package Size (mm)	Nozzle Size (mm)			
		A	B	C	D
1135	PLCC 17.5x17.5 (44pins)	18.5	18.5	15	15
1136	PLCC 20x20 (52pins)	21	21	19	19
1137	PLCC 25x25 (68pins)	26	26	24	24
1138	PLCC 30x30 (84pins)	31	31	29	29
1139	PLCC 7.3x12.5 (18pins)	9	14	69	69
1140	PLCC 11.5x11.5 (28pins)	13	13	15	10
1141	PLCC 11.5x14 (32pins)	15	13	15	10
1188	PLCC 9x9 (20pins)	11	11	10	10
1189	PLCC 34x34 (100pins)	36.5	36.5	33.5	33.5

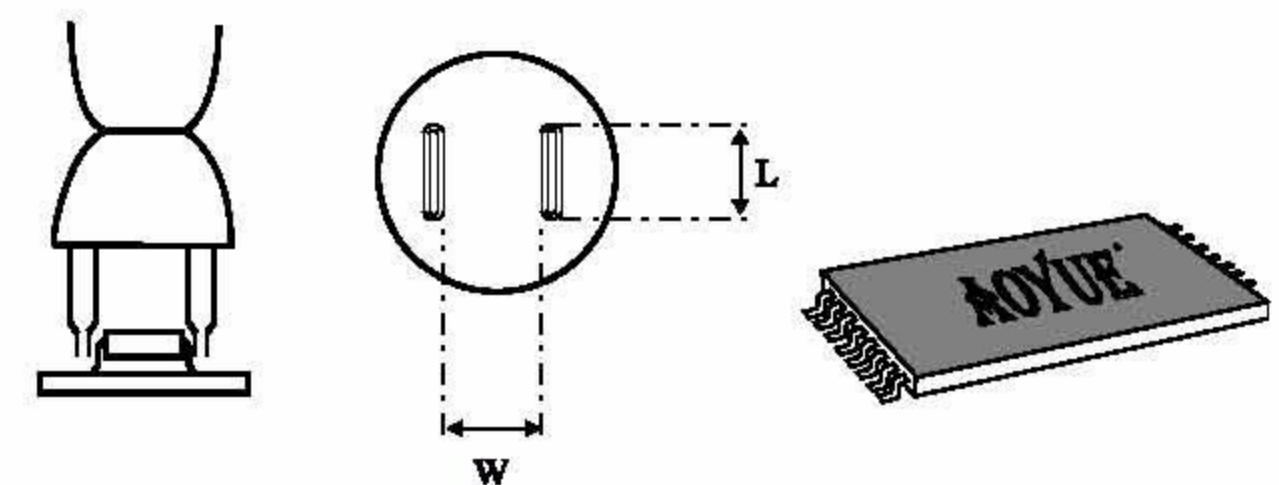
Gull Wing Leaded Components

Small-Outline Package



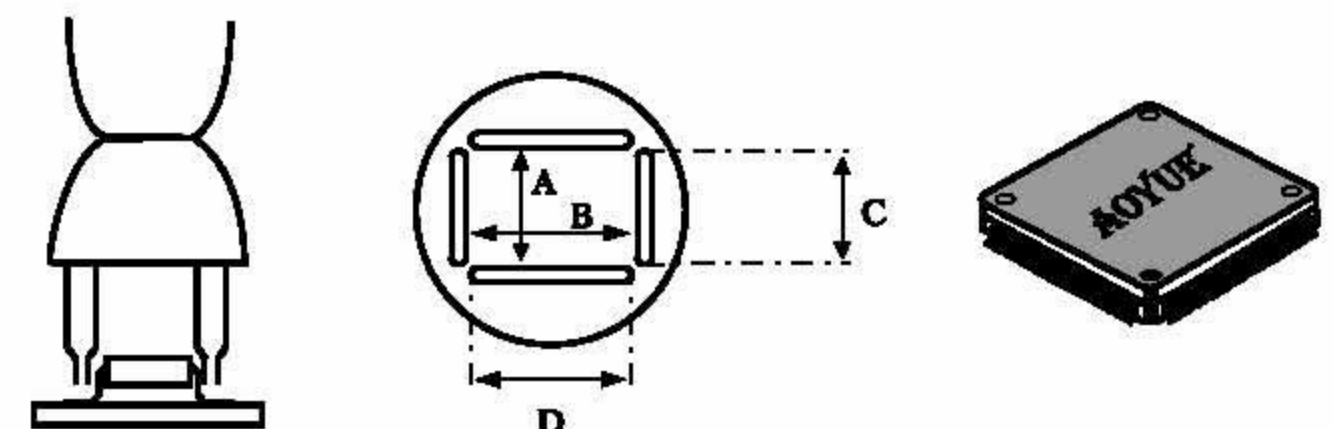
Nozzle Model	IC Package Size (mm)	Nozzle Size (mm)	
		L	W
1131	SOP 4.4x10	10	4.8
1132	SOP 5.6x13	15	5.7
1133	SOP 7.5x15	16	7.2
1134	SOP 7.5x18	19	7.2
1257	SOP 11x21	21	11.7
1258	SOP 7.6x12.7	11.7	8.2
1259	SOP 13x28	29	13.5
1260	SOP 8.6x18	19	8.7

Thin Small-Outline



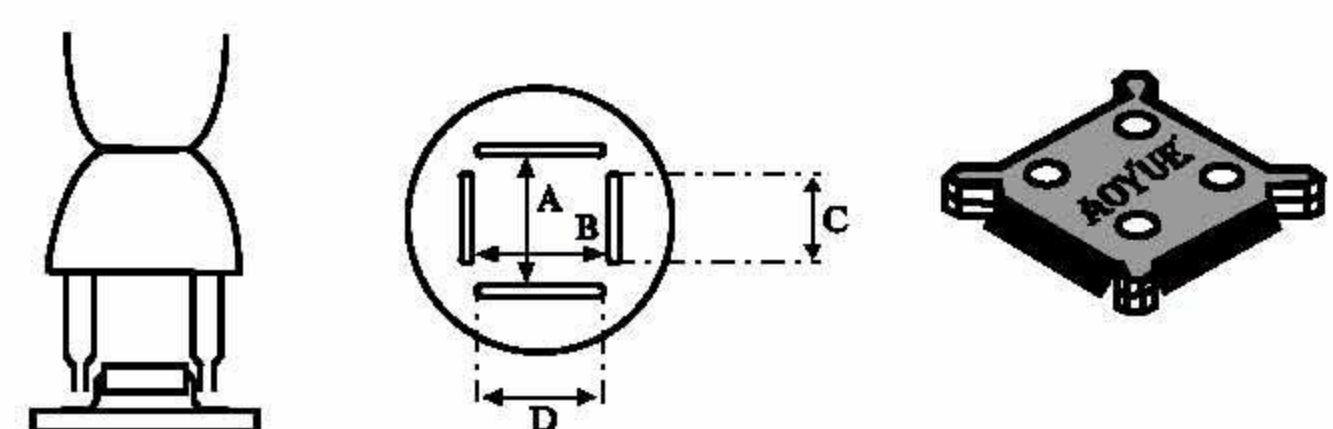
Nozzle Model	IC Package Size (mm)	Nozzle Size (mm)	
		L	W
1185	TSOL 13x10	10	11.9
1187	TSOL 18.5x8	10	18.5
1186	TSOL 18x10	11.7	18.2

Quad Flat Pack



Nozzle Model	IC Package Size (mm)	Nozzle Size (mm)			
		A	B	C	D
1125	QFP 10x10	10.2	10.2	10	10
1126	QFP 14x14	15.2	15.2	15	15
1127	QFP 17.5x17.5	19.2	19.2	19	19
1128	QFP 14x20	15.2	21.2	15	21
1129	QFP 28x28	29.5	29.7	29	29
1215	QFP 42.5x42.5	42.5	42.5	40	40
1261	QFP 20x20	20.2	20.2	21	21
1262	QFP 12x12	12.2	12.2	12	12
1263	QFP 28x40	27.7	39.7	29	39
1264	QFP 40x40	40.2	40.2	39	39
1265	QFP 32x32	32.2	32.2	31	31

Bumpered Quad Flat Pack



Nozzle Model	IC Package Size (mm)	Nozzle Size (mm)			
		A	B	C	D
1180	BQFP 17x17	18.2	18.2	13.6	13.6
1181	BQFP 19x19	19.2	19.2	16	16
1203	BQFP 35x35	35.2	35.2	30.6	30.6
1182	BQFP 24x24	24.2	24.2	21	21

